

— THE —
TORQUE GUN™
— COMPANY —



PROUDLY MADE IN THE USA



**Structural
Steel**

**Mass
Transit**

Mining

**Ship
Building**

**Power
Generation**

Chemical Plants

Rail Systems

Oil Exploration & Production

**Wind
Tower Assembly**

SINGLE SPEED

Models: J-,25, J-,5, J-1, J-3, J-5, J-8

Range: 75 - 8,050 ft-lbs

Use: For consistent power and accurate final torquing



DUAL SPEED PLUS

Models: DS-1, DS-3, DS-5

Range: 200 - 5,200 ft-lbs

Use: For quick rundown and final torquing

FLIP GUN

Models: Flip-.5, Flip-1, Flip-3

Range: 175 - 3,100 ft-lbs

Use: Flip the arm for a quick switch from fast rundown to final torque power



NOW AVAILABLE

THE TGC PATENTED SAFETY LEVER

This safety mechanism drastically reduces the chance for operator error which can lead to safety risks. The lever must be depressed while pulling the trigger, thereby ensuring that the tool operator keeps hands away from pinch points.



Single Speed

Models: J-.25, J-.5, J-1, J-3, J-5, J-8

Range: 75 - 8,050 ft-lbs

Use: For consistent power and accurate final torquing



DIMENSIONS



MODEL	DRIVE	H	L	R	WEIGHT
J-.25	3/4"	8.68"	8.53"	1.25"	7.2 lbs
J-.5	3/4"	8.68"	8.70"	1.25"	7.2 lbs
J-1	3/4"	8.68"	8.65"	1.25"	8.8 lbs
J-3	1"	8.68"	9.66"	1.50"	11.75 lbs
J-5	1.5"	9.52"	12.32"	1.81"	20.05 lbs
J-8	1.5"	9.52"	13.00"	1.81"	26.50 lbs

TORCGUN

SINGLE SPEED



SINGLE SPEED SPECIFICATIONS

MODEL	DRIVE	TORQUE RANGE	BOLT SIZES
J-.25	3/4"	75 - 250 ft-lbs	1/2" to 1"
J-5	3/4"	175 - 500 ft-lbs	3/4" to 1"
J-1	3/4"	200 - 1,250 ft-lbs	7/8" to 1-3/8"
J-3	1"	650 - 3,100 ft-lbs	1-1/4" to 1-7/8"
J-5	1-1/2"	1,200 - 5,200 ft-lbs	1-1/2" to 2"
J-8	1-1/2"	1,750 - 8,050 ft-lbs	1-1/2" to 2-1/2"



Dual Speed Plus

Models: A-1AP, A3-AP, DS-5

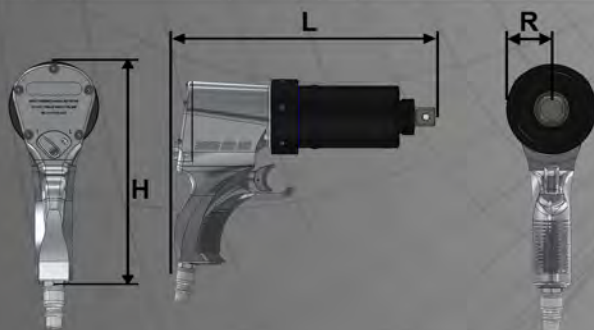
Range: 200 - 5,200 ft-lbs

Use: For quick rundown
and final torquing

BOLTING SYSTEMS COMPARISON

	TorqGim Dual Speed*	IMPACT WRENCH	PNEUMATIC TORQUE	HYDRAULIC TORQUE	HYDRAULIC TENSION
Low Weight	X	-	-	-	-
No Vibration	X	-	X	X	X
Safe for Operator	X	-	-	-	-
Reaction Arm Free	X	X	-	-	X
High Speed Rundown	X	X	-	-	-
Back-up Wrench Free	X	-	-	-	X
Equal Loosening Friction	X	-	-	X	-
Rundown & Torque Modes	X	-	-	-	-
Torque/Tension Compatible	X	-	-	-	-
Bolt Load Accuracy +/- 10%	X	-	-	-	-

*Used in conjunction with the HYTORC Washer



DIMENSIONS

MODEL	DRIVE	L	H	R	WEIGHT
A1-AP	3/4"	10.55"	7.40"	1.5"	10.7 lbs
A3-AP	1"	12.48"	7.50"	1.6"	12.0 lbs
DS-5	1.5"	12.12"	8.13"	2.5"	27.5 lbs

TORCGUN

DUAL SPEED PLUS



DUAL SPEED SPECIFICATIONS

MODEL	DRIVE	TORQUE RANGE	BOLT SIZES
A1-AP	3/4"	200 - 1,250 ft-lbs	7/8" to 1-3/8"
A3-AP	1"	650 - 3,100 ft-lbs	1-1/4" to 1-7/8"
DS-5	1-1/2"	1,200 - 5,200 ft-lbs	1-1/2" to 2"



FLIP GUN

Models: FLIP-.5, FLIP-1, FLIP-3

Range: 175 - 3,100 ft-lbs

Use: Flip the arm for a quick switch from fast rundown to final torque power

SAFETY

No vibration and built-in safety mechanisms that protect the operator during use.

2-IN-1

Faster than an impact and accurate like a hydraulic tool. One tool does the job from start to finish.

QUICK ROI

Save time and money by using less tools and finishing most bolting jobs in nearly half the time of the previous method.

POWER

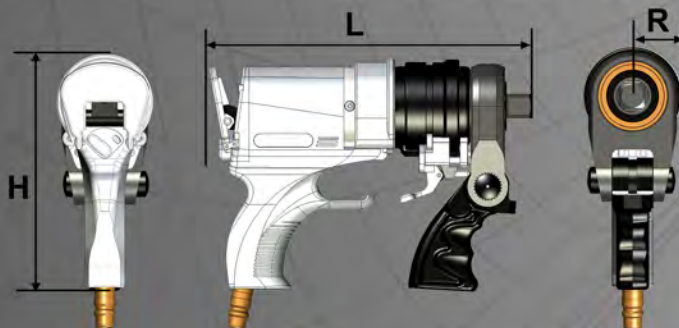
TORQUE UP TO 3,100 FT-LBS



SPEED

RUNDOWN AT 1,600 RPM

"A BREAKTHROUGH PRODUCT FOR INDUSTRIAL BOLTING!"

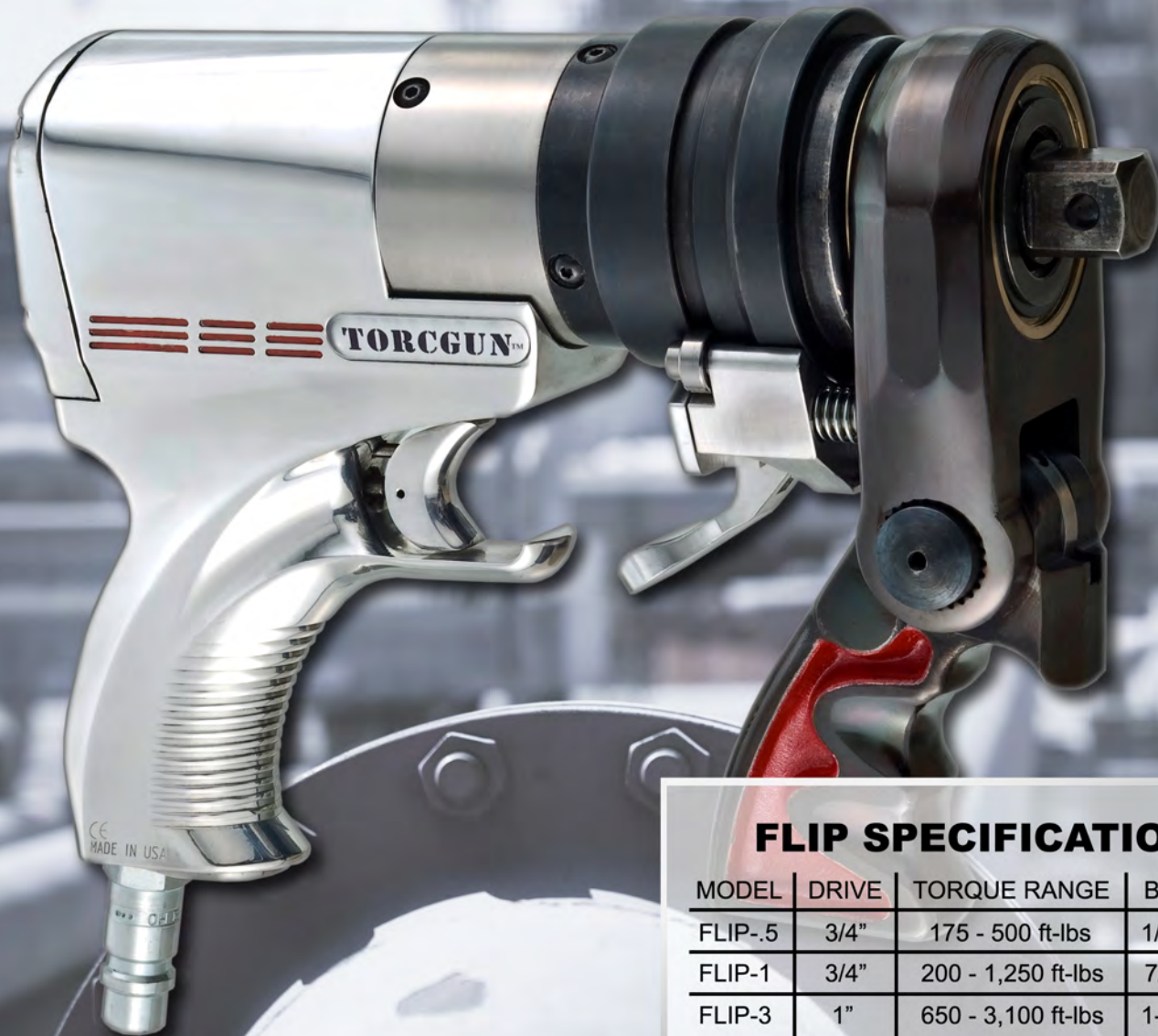


DIMENSIONS

MODEL	DRIVE	H	L	R	WEIGHT
FLIP-.5	3/4"	7.52"	8.55"	1.25"	8.3 lbs
FLIP-1	3/4"	7.52"	9.04"	1.5"	9.5 lbs
FLIP-3	1"	7.73"	11.53"	1.75"	17.5 lbs

TORCGUN

FLIP 2-IN-1



FLIP SPECIFICATIONS

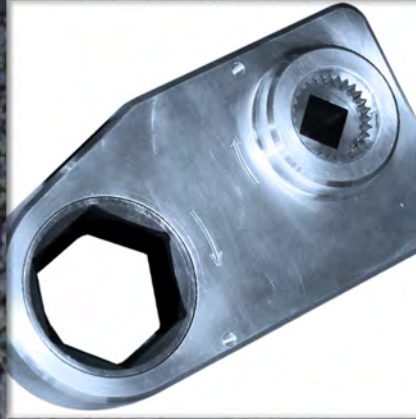
MODEL	DRIVE	TORQUE RANGE	BOLT SIZES
FLIP-.5	3/4"	175 - 500 ft-lbs	1/2" to 1"
FLIP-1	3/4"	200 - 1,250 ft-lbs	7/8" to 1-3/8"
FLIP-3	1"	650 - 3,100 ft-lbs	1-1/4" to 1-7/8"

TORCGUN

TORQUE ACCESSORIES



Torque/Tension Drivers



Offset Drive Adapter



Drive Extensions



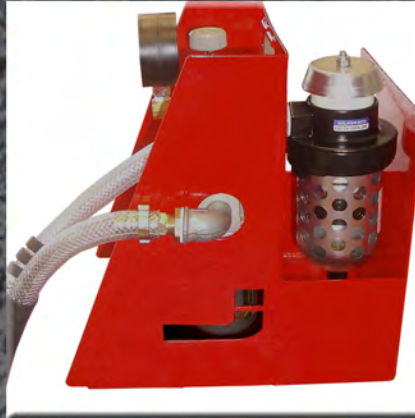
Socket Sets



Custom Fixtures



Filter/Regulator/Oil



Exhaust Silencer



Automatic Air Dryer



Wheel Bolting Gun

OUR ENGINEERING STAFF IS DEDICATED TO FINDING THE PERFECT SOLUTION FOR YOUR JOB. WE WILL WORK TOGETHER WITH YOU TO DEVELOP A FASTER, EASIER OR SAFER SOLUTION FOR ANY BOLTING ISSUES YOU MAY HAVE. PLEASE CALL (888)GUN-2-GUN OR EMAIL US AT INFO@TORQUEGUN.COM FOR ANSWERS

TORCGUN

TENSION ACCESSORIES

THE HYTORC WASHER

Scan this QR code with your smartphone for demo video!



- Universal Reaction Point for all applications
- Calibrated for your bolt load requirements
- Eliminates reaction arms and backup wrenches
- Achieves bolt load accuracy within 10%
- Tightening and loosening time CUT IN HALF

THE HYTORC NUT

Scan this QR code with your smartphone for demo video!



- Simple nut replacement for straight tensioning
- Load accuracy within 5% for critical applications
- Easy removal after long duration and high temp
- No side clearance required for operation
- Tightening and loosening time CUT IN HALF

FEATURED ACCESSORIES

OFFSET ADAPTER & FROG BOLT ADAPTER

OFFSET ADAPTER

- Reduce job time and increase safety
- High speed nut rundown on long bolts
- High strength 1-to-1 power ratio
- Simple switch from high speed rundown to high power torque
- Slim design fits almost anywhere

FOR LIMITED CLEARANCE OR LONG BOLT APPLICATIONS



FROG BOLT ADAPTER

- Reduce job time and increase safety
- Apply accurate tension with torque
- Eliminate dangerous reaction arms
- Increase tool life up to 400%
- Lock-nut effect reduces chance of loosening due to high vibration

FOR RAILWAY FASTENERS



FEATURED ACCESSORY

TORCGUN WHEEL GUN



WHEEL GUN BOLTING

- High torque to high speed with just a twist
- Apply accurate and even torque to every lug nut
- Reduce job time and increase safety
- Eliminate breaker bars and hammering
- Simple one person operation with just 90 PSI



Scan this QR code with your smartphone to see a video of the Wheel Gun in action!

TORCGUN

COMING
SOON

FLASH



FLASH - ELECTRIC TORQUE MULTIPLIER

- + Unmatched Convenience & Portability
- + Torque Output up to 3,000 ft-lbs
- + Ultra Durable Aerospace Metals
- + Proven Gearbox Technology
- + Rugged Design and Build Quality
- + Available in 110V and 220V



218 ISLAND ROAD, MAHWAH, NJ 07430
TEL: 201-512-9800 • FAX: 201-786-9147
TOLL FREE: (888)GUN-2-GUN
EMAIL: INFO@TORQUEGUN.COM

